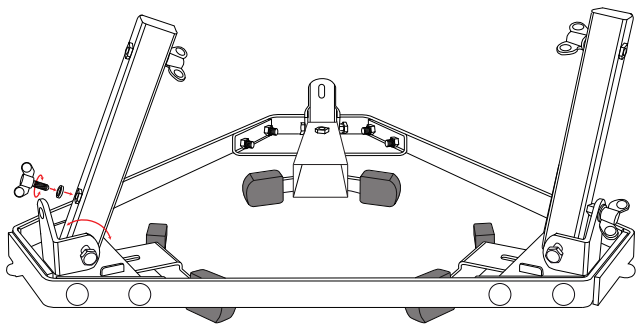




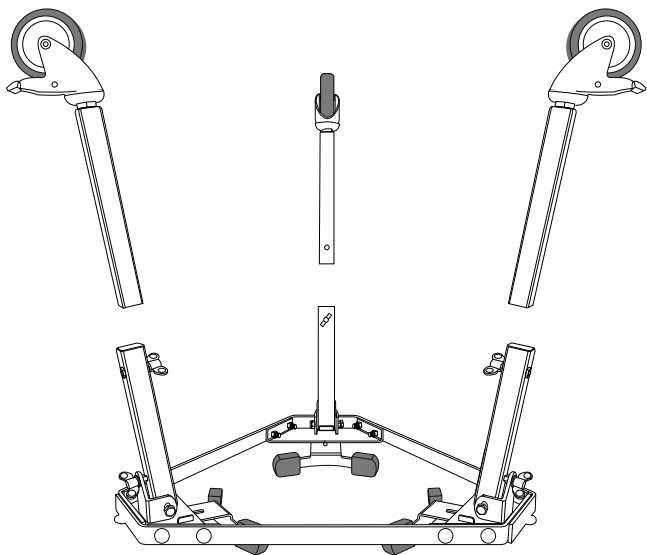
ASSEMBLY INSTRUCTION

PROFESSIONAL CONGA STAND TMPC

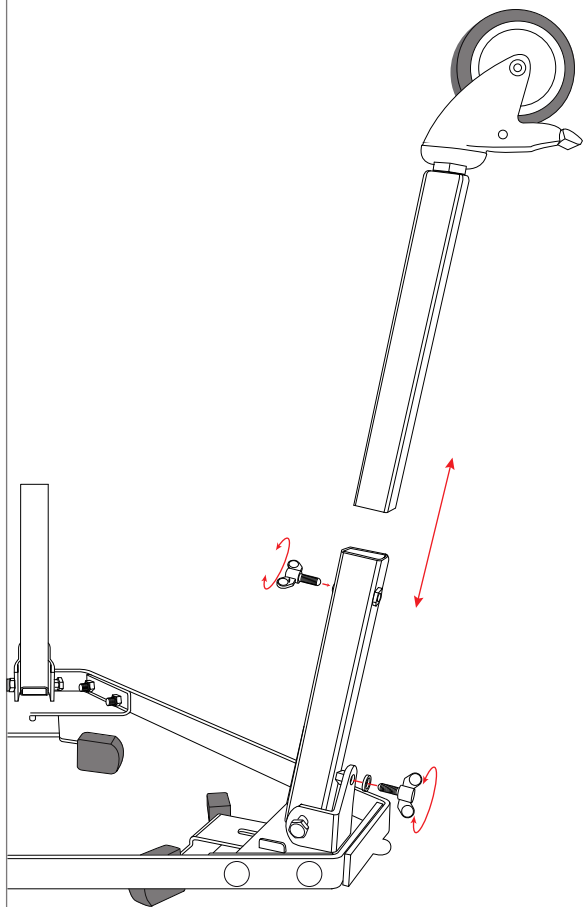
1.



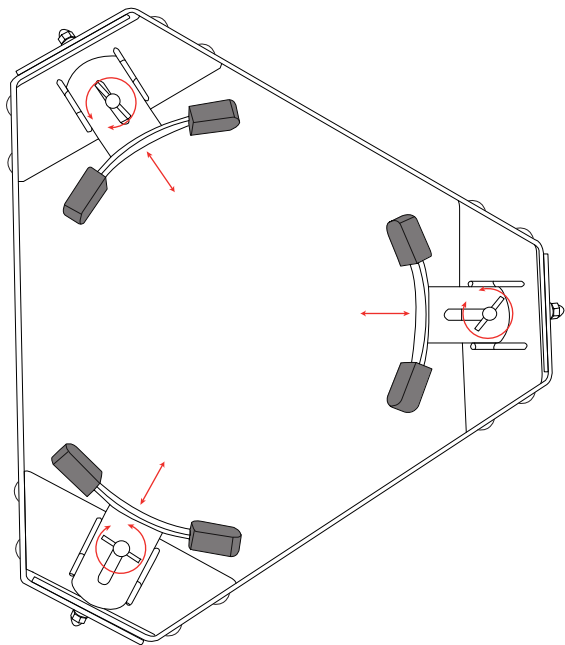
2.

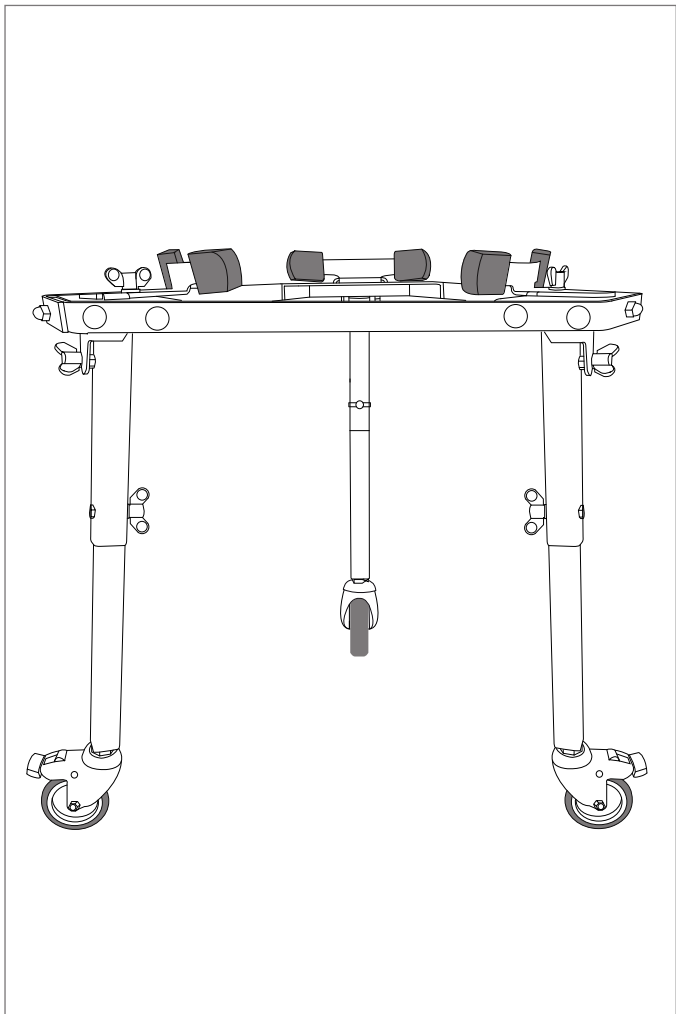


3.



4.







PROFESSIONAL CONGA STAND TMPC

- Height adjustable
- Heavy construction
- Adjustable padded stops fit any size conga
- Height adjustable legs
- Lockable high-quality wheels

Roland Meinl Musikinstrumente GmbH & Co. KG
Musik-Meinl-Str. 1, 91468 Gutenstetten, Germany
info@meinlpercussion.com
meinlpercussion.com