

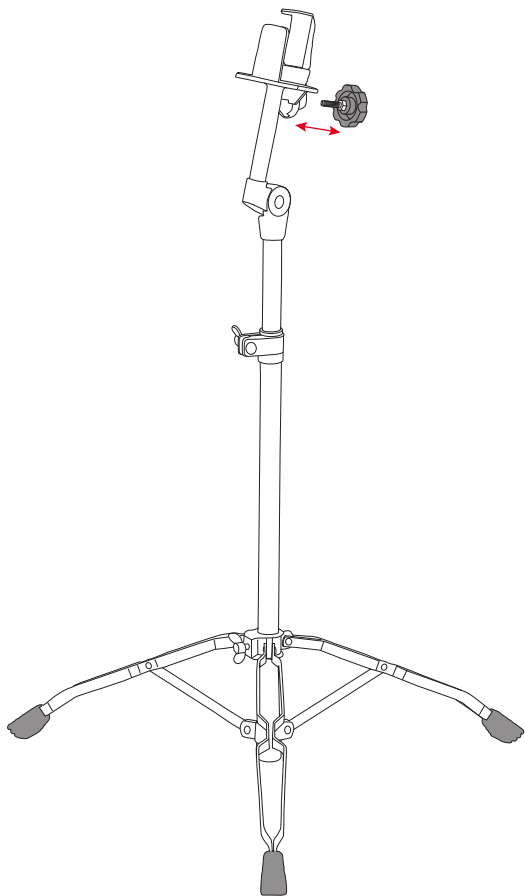


## **ASSEMBLY INSTRUCTION**

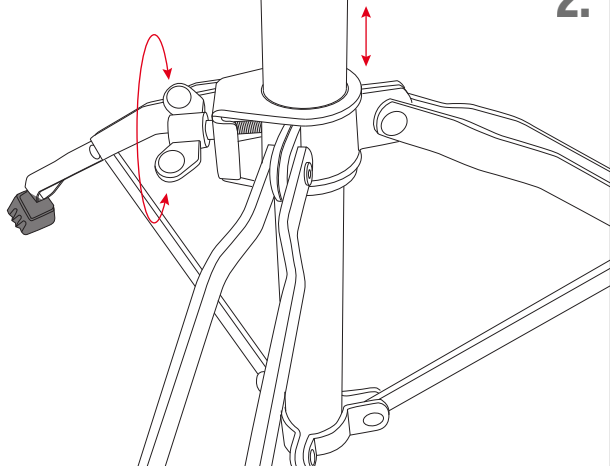
### **HEADLINER SERIES BONGO STANDS**

**THBS / THBS-BK**

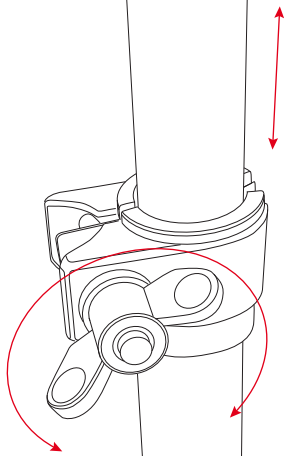
1.



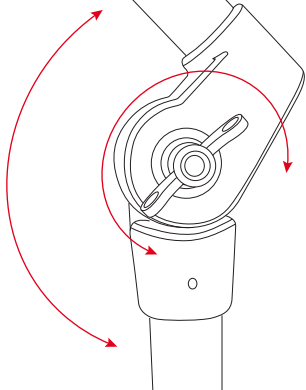
**2.**



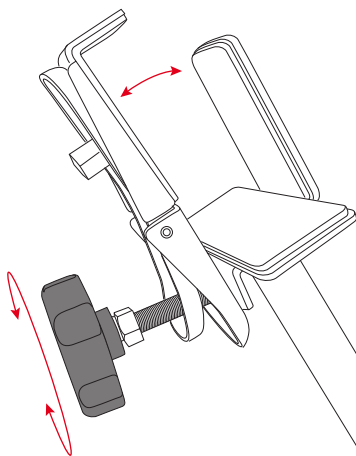
**3.**

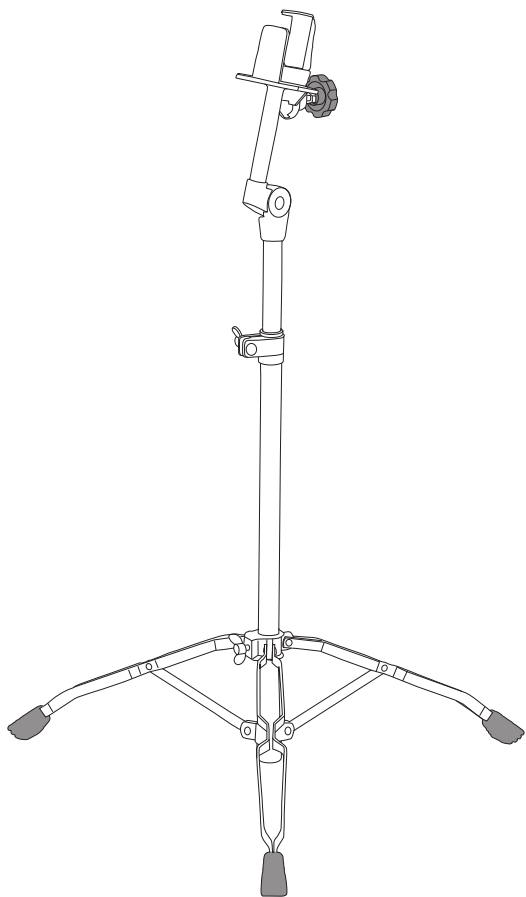


4.



5.







## HEADLINER SERIES BONGO STANDS

THBS / THBS-BK

---

These bongo stands combine easy handling and functionality with reliability and a sturdy construction.

- Quick set up
- Easy handling
- Reliable placement
- Double braced tripod stand
- Fits all common bongos

---

Roland Meinl Musikinstrumente GmbH & Co. KG  
Musik-Meinl-Str. 1, 91468 Gutenstetten, Germany  
info@meinlpercussion.com  
**meinlpercussion.com**